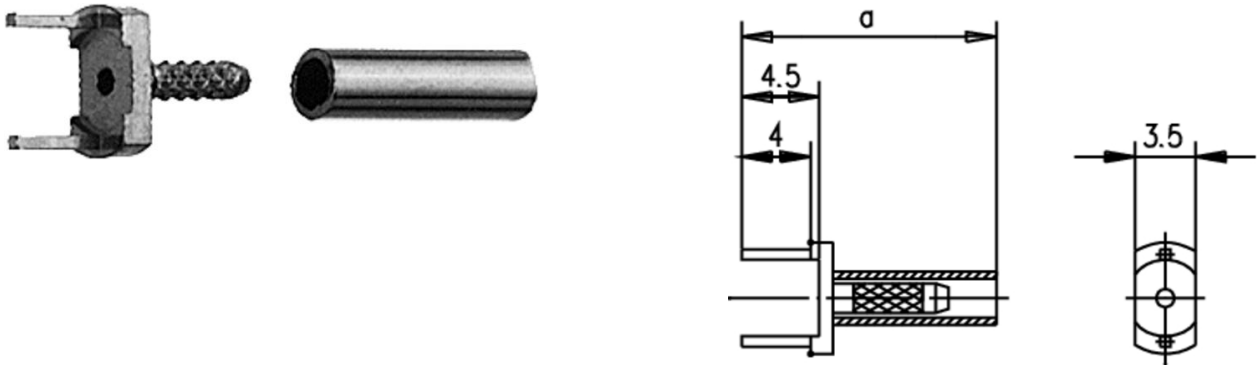


order number: H01000A0047

Cable Terminator for Printed Circuits G3 (RG-178B/U) solder/crimp



Technical Attributes	
Cable group; cable	G3 (RG-178B/U) RG-196A/U RG-178B/U KX 21A
Remarks	solder/crimp
Dimensions	a=12.4
Mount. dim.	Z26
Assembly	D0313
Crimp die	N01003A0010
Z	Ω

### Product description

Cable terminators are used for direct soldering of coax-cables onto printed circuits boards. Straight and angle types with 1, 2 or 4 pin terminations allow optimal solutions for various applications.