

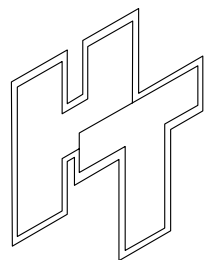
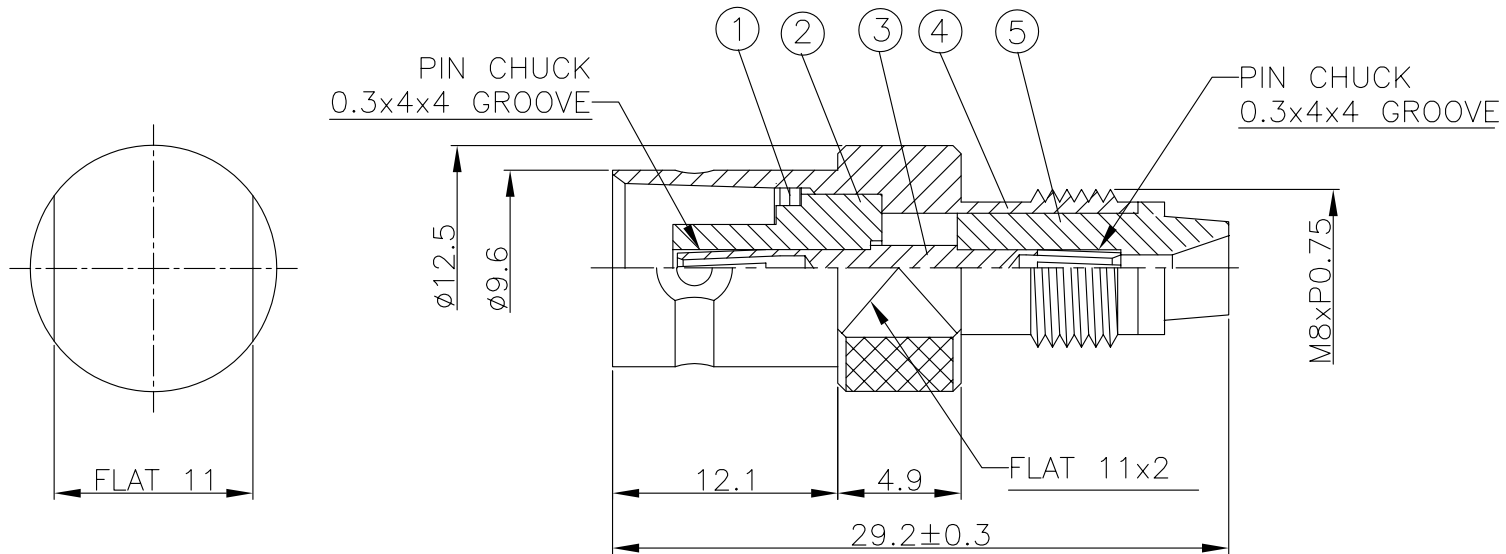
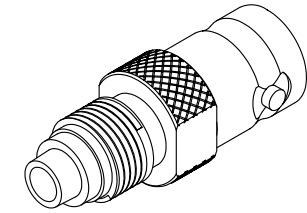
4

3

2

1

NO	DESCRIPTION	MATERIAL	Q'TY	FINISH	REMARK
1	WASHER	BRASS	1	NICKEL	W-0007-N
2	INSULATION	DELTRIN	1	DELTRIN	I-0245D
3	PIN	BRASS	1	GOLD	P-FME0341-G
4	BODY	BRASS	1	NICKEL	B-FME0502-N
5	INSULATION	DELTRIN	1	DELTRIN	I-0246D



HUS-TSAN GROUP CO., LTD.

P.O.BOX 40-76.TAINAN.TAIWAN,R.O.C.

TITLE
FME FEMALE-BNC FEMALE

PART NO. FME-23-DGN

DRAWING NO. FME 23 DGN

DRAWN MARY DATE 96.07.07

CHECKED 蘇志欣 DATE

Q.A. 蘇姿潔 DATE

APPROVAL 徐燦霖 DATE

REVISION DATE

DIMENSIONS ARE IN MILLIMETERS

UNLESS OTHERS SPECIFIED
TOLERANCE

0.5-5=±0.2 120-315=±1

5-30=±0.4 315-1000=±1.6

30-120=±0.6 1000-2000=±2.4

SCALE 4:1 SIZE A

REVISION

DESCRIPTION	ENGINEER

4

3

2

1