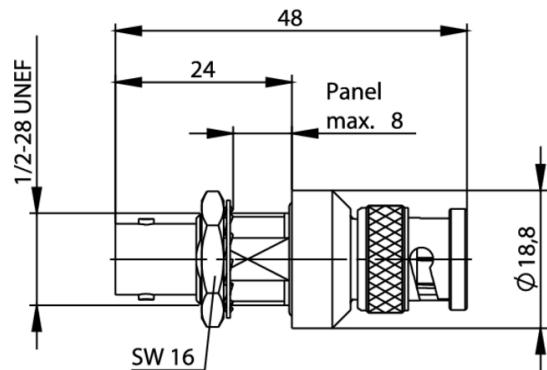


order number: J01007A0003

BNC surge suppressor, 1 GHz, m-f, bulkhead



| Technical Attributes | |
|-----------------------|---------------|
| Technical Information | 75 Ω, 1 GHz |
| Finish | brass |
| Remarks | m-f, bulkhead |
| Mount. dim. | Z04 |

Product description

The BNC series is the most commonly used coax connector. With its bayonet coupling mechanism this connector can be used up to 4 GHz. Both 50 and 75 Ω impedances are available. Connector styles are available for flexible, conformable and semi-rigid cable types. Versions of the BNC connector are available for mounting to printed circuit boards using both through-hole soldered and through-hole press-fit techniques. Both crimp and clamp cable termination processes are used for this series. BNC connectors are used for signal, data and video transmission applications.

Mating face sealing for BNC connectors between plug and jack (mated) according to IP 54. The classifications are general statements for the relevant series. Individual connectors may deviate from the values shown. If in doubt, please consult our engineers.

| Mechanical Characteristics | |
|-----------------------------|--------------------|
| Durability (mating cycles) | ≥ 500 |
| Material: spring contacts | CuBe2; CuPb1.15Ni1 |
| Material: outer conductor | CuZn39Pb3 |
| Material: other metal parts | CuZn39Pb3 |
| | PTFE; PE PTFE; PE |

| | |
|---------------------------|--|
| Material: insulators | |
| Material: gaskets | Silicone Silicone |
| Finish: Inner conductor | Cu1Ni2Au0.8 |
| Finish: Outer conductor | Cu2Ni5 (Nickel); Ag2CuSnZn0.5 (Optargen) |
| Finish: Other metal parts | Cu2Ni5 |

| Climatic Characteristics | |
|---|-----------|
| Climatic category acc. to IEC 60068 - 1 | |
| Types with PTFE insulator | 40/155/21 |
| Types with PE insulator | 40/75/21 |

| Electrical Characteristics | |
|------------------------------------|--|
| Contact resistance inner conductor | $\leq 20 \text{ m}\Omega$ |
| Contact resistance outer conductor | $\leq 5 \text{ m}\Omega$ |
| Insulation resistance | $\geq 5 \text{ G}\Omega$ |
| Voltage proof | 1.5 kV _{eff} /50 Hz |
| Impedance | 50 Ω /(75 Ω) |
| Return loss: Straight style | $\geq 20 \text{ dB}/3 \text{ GHz}$ (50 Ω types) |
| Return loss: Angle style | $\geq 17.7 \text{ dB}/3 \text{ GHz}$ (50 Ω types) |
| Working voltage | $\leq 500 \text{ V}_{\text{eff}}/50 \text{ Hz}$ |
| Frequency range up to | 4 GHz |

| Standards | |
|--------------|--|
| IEC 61 169-8 | |

Note

Combination connectors and cable clamps can be utilised to create a further number of BNC connector variations.