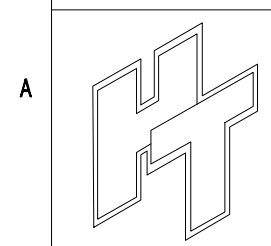
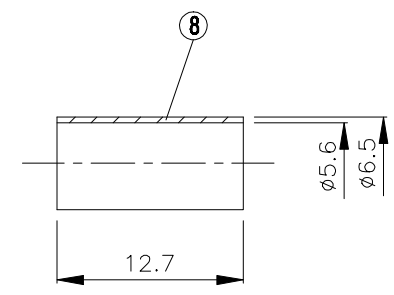
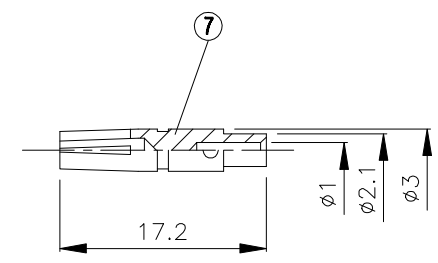
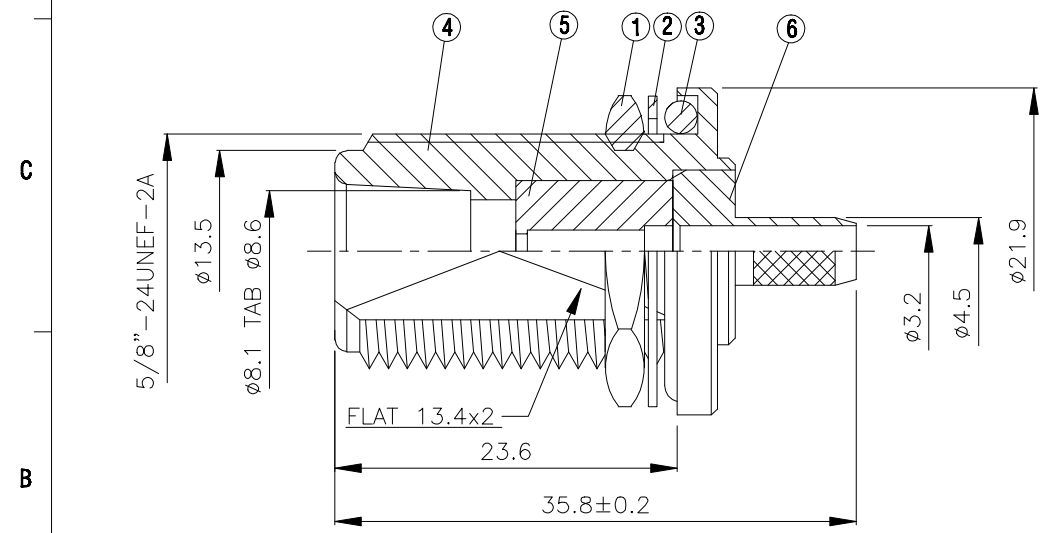
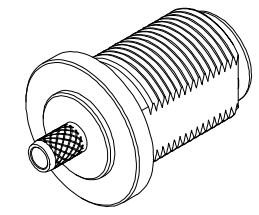
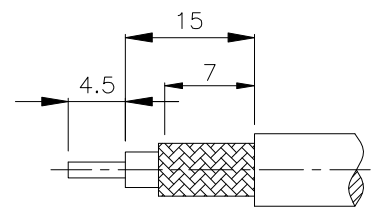


NO	DESCRIPTION	MATERIAL	Q'TY	FINISH	REMARK
1	NUT	BRASS	1	NICKEL	N-0007-N
2	WASHER	BRASS	1	NICKEL	W-0005-N
3	GASKET	SI RUBBER	1	RUBBER	RU-0009
4	BODY	BRASS	1	NICKEL	B-N0049-N
5	INSULATION	TEFLON	1	TEFLON	I-0118-T
6	BODY	BRASS	1	NICKEL	B-N0052-N
7	PIN	BRASS	1	GOLD	P-N0043-G
8	RING	BRASS	1	TEFLON	R-0007-N



HUS-TSAN GROUP CO., LTD.
P.O.BOX 40-76.TAINAN.TAIWAN,R.O.C.
TITLE N FEMALE CRIMP FOR RG58U,141A/U
PART NO. N-32FV1-TGN
DRAWING NO. N 32FV1 TGN

DRAWN MARY **DATE 96.05.04**
CHECKED 蘇志欣 **DATE**
Q.A. 蘇姿潔 **DATE**
APPROVAL 徐燦霖 **DATE**
REVISION **DATE**

DIMENSIONS ARE IN MILLIMETERS
UNLESS OTHERWISE SPECIFIED TOLERANCE
0.5-5=±0.2 120-315=±1
5-30=±0.4 315-1000=±1.6
30-120±0.6 1000-2000=±2.4
SCALE 4:1 **SIZE A**

REVISION	
DESCRIPTION	ENGINEER

4

3

2

1

A

A