

## N Male Connector for 1-1/4" Coaxial Cable, OMNI FIT™ Premium, Straight, O-Ring and compression sealing

### Product Description

OMNI FIT™ high performance connectors are designed for use with both CELLFLEX® (copper) and CELLFLEX® Lite (aluminium) cables. They are designed specifically to provide the highest quality connector-cable interface while simplifying and speeding up connector attachment. All RFS connectors are fully tested for mechanical and electrical compliance to industry specifications. The N connector meets all technical requirements and covers high frequencies as well as legacy applications. Sealing against outer conductor and jacket by means of O-Ring and 360° compression fit. Multifunctional, self-lubricating HighTech polymer assembly locks on cable corrugation, avoids electrochemical potential differences and compression-fits to the jacket.



OMNI FIT™ Premium Connectors

### Features/Benefits

- Ultra high PIM performance i.e. reduced interference leading to high customer satisfaction
- Two-piece design i.e. visual inspection of interlocking leads to improved installation security
- OMNI FIT™ concept i.e. streamlined order management and reduced stock level
- Watertight sealing in mated and unmated condition, i.e. reduced efforts during installation and improved security during operation
- Unique NiTin plating i.e. extreme resistance against corrosion even under hardest climatic and environmental circumstances
- Multi-thread (Tristart) design i.e. simplified and accelerated tightening process
- RoHS (EU) and CRoHS (China) compliant i.e. can be used on a global basis

### Technical Specifications

Transmission Line Type	Coaxial Cable
Cable Size	1-1/4"
Cable Type	Foam Dielectric
Model Series	UCF114-50A-Series, LCF114-50A-Series, LCFS114-50A-Series
Connector Interface	N
Nominal Impedance, ohms	50
Connector Type	OMNI FIT™ PREMIUM Straight
Sealing Method	O-Ring + 360° Compression
Gender	Male
Plating Outer/Inner	NiTin/Silver
Length, mm (in)	83.65 (3.29)
Outer Diameter, mm (in)	49.5 (1.95)
Weight, kg (lb)	0.33 (0.73)
Inner Contact Attachment	Spring Finger
Outer Contact Attachment	360° clamping
3rd Order IM Product @ 2x20 Watts, dBc	-156 ; typical -162
Maximum Frequency, GHz	3.6
VSWR (Return Loss, dB)	0 < f = 1.0 GHz: 1.02 (40.0) 1.0 < f = 2.2 GHz: 1.04 (34.1) 2.2 < f = 2.7 GHz: 1.06 (30.7) 2.7 < f = 3.6 GHz: 1.08 (28.3)
Poly Hook Spanner	PHS 60-90-5 Ø 60-90 (2.3-3.5) Pin 5 (0.2)
Trimming Tool	TRIM-SET-L114-D01 TRIM-LCF114-D01-A
Waterproof Level	IP68

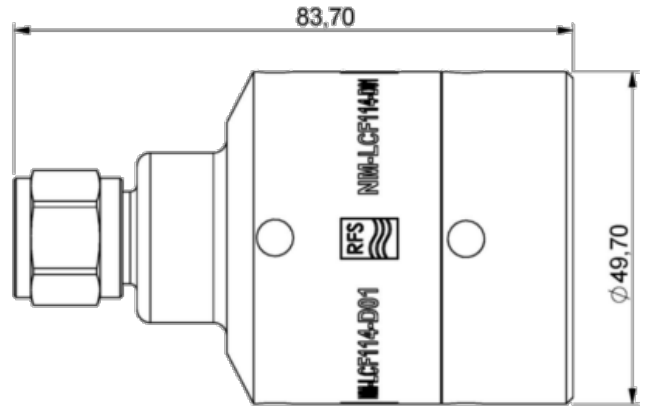
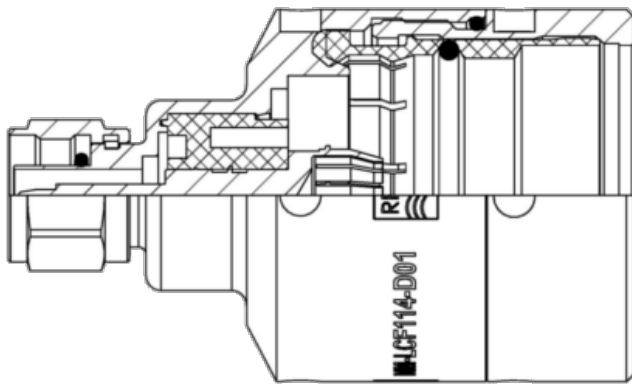
### Notes

### Other Documentation

Installation Instruction: [2800087-D.pdf](#)



N Male Connector for 1-1/4" Coaxial Cable, OMNI FIT™ Premium, Straight, O-Ring and compression sealing



All information contained in the present datasheet is subject to confirmation at time of ordering