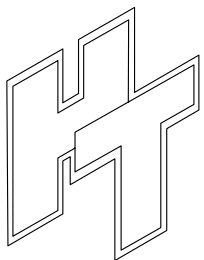
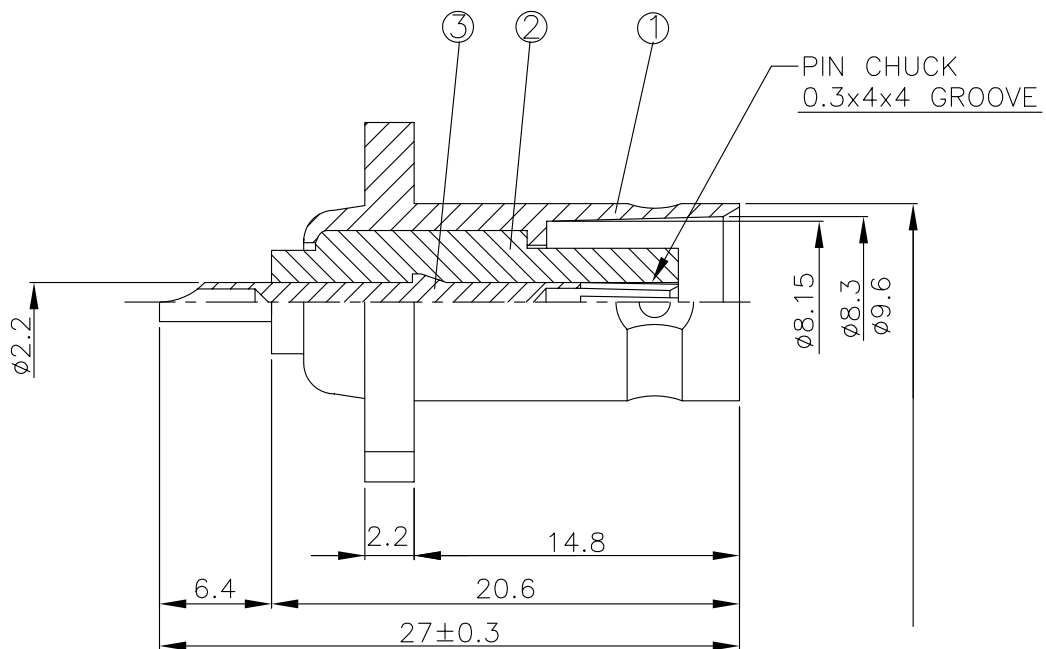
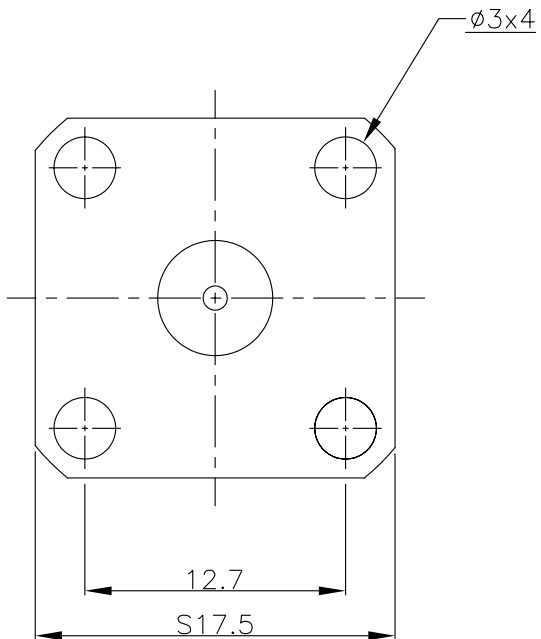
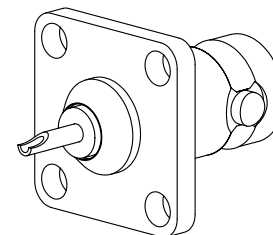


NO	DESCRIPTION	MATERIAL	Q'TY	FINISH	REMARK
1	BODY	BRASS	1	NICKEL	B-BNC0477-N
2	INSULATION	TEFLON	1	TEFLON	I-0200T
3	PIN	BRASS	1	GOLD	P-TNC0076-G



HUS-TSAN GROUP CO., LTD.

P.O. BOX 40-76. TAINAN. TAIWAN, R.O.C.

TITLE
BNC PANEL FEMALE RECEPTACLE

PART NO.
BNC-14-TGN

DRAWING NO. BNC 14 TGN

DRAWN MARY

DATE 96.06.28

CHECKED 蘇志欣

DATE

Q.A. 蘇姿潔

DATE

APPROVAL 徐燦霖

DATE

REVISION

DATE

DIMENSIONS ARE IN MILLIMETERS

UNLESS OTHERWISE SPECIFIED TOLERANCE

0.5-5 = ± 0.2 120-315 = ± 1
 5-30 = ± 0.4 315-1000 = ± 1.6
 30-120 = ± 0.6 1000-2000 = ± 2.4

SCALE 4:1 SIZE A

REVISION

DESCRIPTION ENGINEER