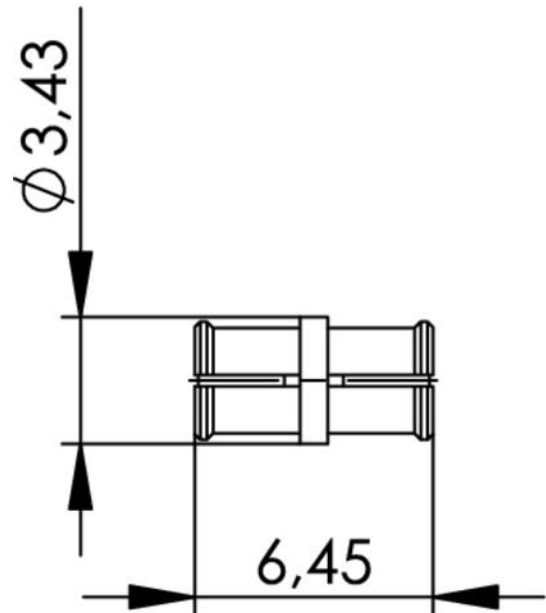
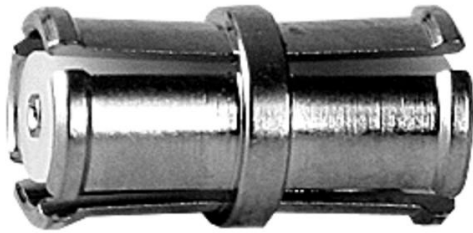


order number: J01392A0001

SMP Bullet f-f; L=6.45



Technical Attributes	
Remarks	f-f; L=6.45

Product description

The SMP series comprises micro-miniature RF connectors with a snap coupling mechanism, suitable for use up to 12 GHz. The impedance is controlled at 50 Ohm. The mating faces are designed in accordance with the MIL-STD-348A specification. Cable terminations are either crimp or solder designs, for flexible and semi-rigid cables. The SMP series connectors are primarily used in high-speed signal transmission lines. Board-to-board PCB connections can be realised using the so-called SMP "bullets".

There are three different coupling mechanisms: Smooth bore Limited detent Full detent

Mechanical Characteristics	
Durability (mating cycles) Full Detent	≥ 100
Durability (mating cycles) Limited Detent	≥ 500
Durability (mating cycles) Smooth Bore	≥ 1000
Insertion force Full Detent	68 N max.
Insertion force Limited Detent	45 N max.

Insertion force Smooth Bore	9 N max.
Withdrawal force Full Detent	22 N min.
Withdrawal force Limited Detent	9 N min.
Withdrawal force Smooth Bore	2.2 N min.
Material: spring contacts	CuBe2
Material: solid contact parts	CuZn39Pb3
Material: crimp ferrule	Cu
Material: insulators	PTFE, LCP, PEEK
Finish: Inner conductor	NiP-Au
Finish: Outer conductor	NiP-Au
Finish: Other metal parts	Ni-Au

Climatic Characteristics	
Climatic category acc. to IEC 60068 - 1	55/155/21

Electrical Characteristics	
Contact resistance inner conductor	$\leq 6 \text{ m}\Omega$
Contact resistance outer conductor	$\leq 2 \text{ m}\Omega$
Insulation resistance	$\geq 5 \text{ G}\Omega$
Impedance	50 Ω
Frequency range up to	12 GHz
VSWR: Straight style, semi-rigid	typ. 1.03+0.02 f (GHz)
VSWR: Angle style, semi-rigid	typ. 1.04+0.03 f (GHz)
Proof voltage	500 Veff/50 Hz
Working voltage	$\leq 335 \text{ Veff/50 Hz}$