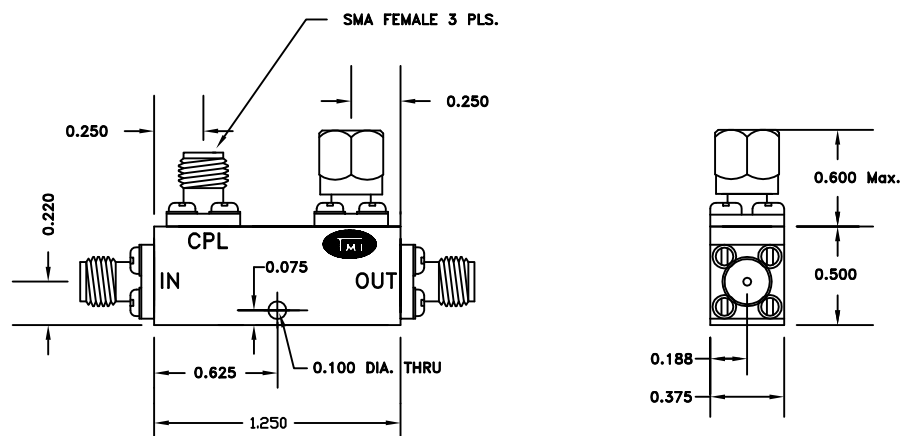



| APPLICATION | | | REVISION | | |
|-------------|---------|-----|-------------|------|----------|
| NEXT ASSY | USED ON | LTR | DESCRIPTION | DATE | APPROVED |
| | | | | | |



Specifications:

Frequency Range: 4 to 12 GHz
 Insertion Loss: 2.2 db Max.
 VSWR: 1.3:1 Max.
 Coupling Flatness: +/- 0.30 db Max.
 Coupling: 6 +/- 1 db
 Directivity: 17 db
 Input Power: 50 WCW @ 1.5:1 Load VSWR Max

| | | | |
|---|----------------------|------|---|
| UNLESS OTHERWISE SPECIFIED DIMENSIONS ARE IN INCHES TOLERANCES ARE: FRACTIONS DECIMALS ANGLES ± .XX ±.03 ± .XXX ±.01 | CONTRACT NO. | |  TAYLOR MICROWAVE, INC. 48 INDUSTRIAL WEST • CLIFTON, N.J. 07012 |
| | APPROVALS | DATE | |
| MATERIAL | DRAWN J.B. | 2/14 | TITLE STRIPLINE DIRECTIONAL COUPLER |
| | CHECKED | | |
| FINISH GRAY PAINT | E.E. B.S. | 2/14 | SIZE CODE IDENT NO. DRAWING NO. A OE3Y7 CLB-4012-6 |
| | DO NOT SCALE DRAWING | | SCALE NONE CAD 13 SHEET 1 OF 1 |