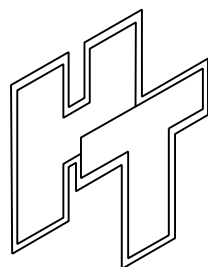
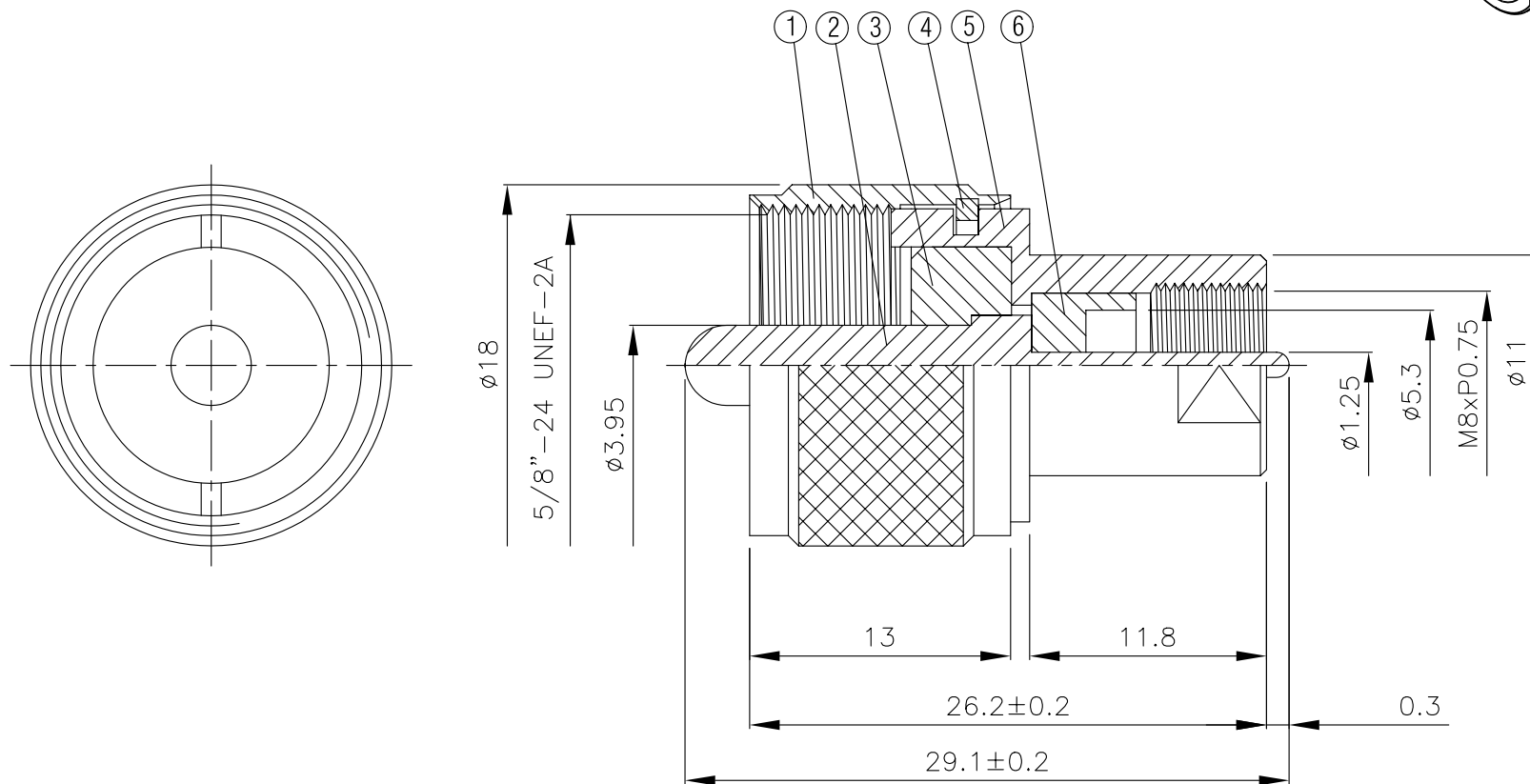
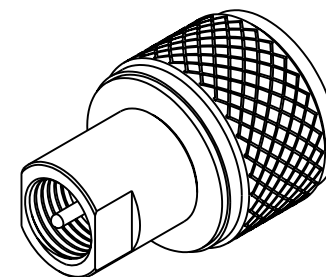


NO	DESCRIPTION	MATERIAL	Q'TY	FINISH	REMARK
1	SHELL	BRASS	1	NICKEL	B-UHF221-N
2	PIN	BRASS	1	GOLD	P-FME0138-G
3	INSULATION 1	DELRIN	1	DELRIN	I-0039D
4	WASHER	BRASS	1	NICKEL	W-0029-N
5	BODY	BRASS	1	NICKEL	B-FME0222-N
6	INSULATION 2	DELRIN	1	DELRIN	I-0066D



HUS-TSAN GROUP CO., LTD.

P.O. BOX 40-76. TAINAN. TAIWAN, R.O.C.

TITLE FME MALE - UHF MALE ADAPTOR

PART NO. FME-16-DGN

DRAWING NO. FME 16 DGN

DRAWN MARY

CHECKED 黃巧君

Q.A. 蘇姿潔

APPROVAL 徐燦霖

REVISION

DATE 96.03.23

DATE

DATE

DATE

DATE

DIMENSIONS ARE IN MILLIMETERS

UNLESS OTHERWISE SPECIFIED TOLERANCE

0.5-5=±0.2	120-315=±1
5-30=±0.4	315-1000=±1.6
30-120±0.6	1000-2000=±2.4

SCALE 4:1 SIZE A

REVISION

DESCRIPTION	ENGINEER